

# PETERBILT AIR CLEANER SHIELDS

MODELS 377, 378 & 379

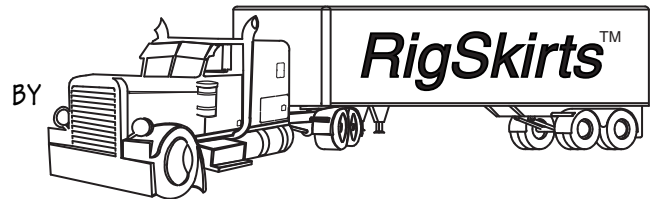
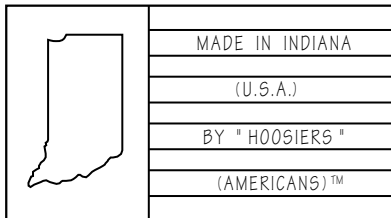
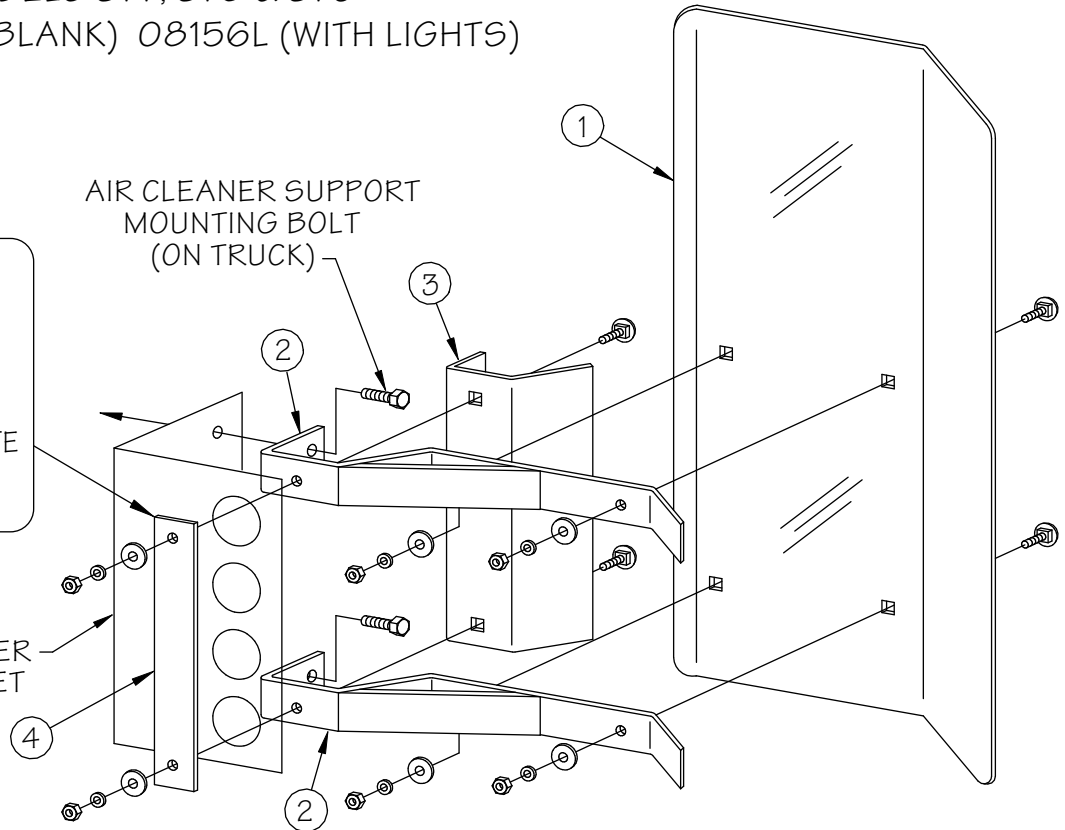
P/N 08155 (BLANK) 08156L (WITH LIGHTS)

## WARNING!

THIS BAR MOUNTS BEHIND AND THRU THE HOLES IN THE TRUCK AIR CLEANER SUPPORT BRACKET AND MUST BE INSTALLED OR THE BRACKETS WILL VIBRATE AND BREAK VOIDING THE WARRANTY.

TRUCK AIR CLEANER SUPPORT BRACKET (ON TRUCK)

AIR CLEANER SUPPORT MOUNTING BOLT (ON TRUCK)



## INSTRUCTIONS

1. MOUNT THE AIR CLEANER SHIELD (#1) TO THE TWO LONG BRACES (#2) AS SHOWN IN DIAGRAM AND TIGHTEN THE BOLTS.
2. REMOVE THE TWO 3/8" BOLTS FROM THE AIR CLEANER SUPPORT BRACKET.
3. PLACE THE ASSEMBLED UNIT IN POSITION SIMULTANEOUSLY WITH PIECE (#3). REPLACE THE BOLTS IN THE AIR CLEANER SUPPORT BRACKET. **NOTE!** THE LEADING EDGE OF PIECE (#3) SHOULD BE BEHIND THE AIR CLEANER SHIELD
4. POSITION BAR (#4) BEHIND THE AIR CLEANER SUPPORT BRACKET AND INSTALL THE BOLTS. **NOTE!** THESE BOLTS WILL PASS THROUGH PIECE (#3), PIECE (#2), THE LARGE HOLES IN THE AIR CLEANER SUPPORT BRACKET AND PIECE (#4) (IN THIS ORDER).
5. TIGHTEN ALL BOLTS.
6. IF YOU HAVE PURCHASED A UNIT WITH LIGHTS YOU ARE NOW READY TO INSTALL AND WIRE THE LIGHTS.