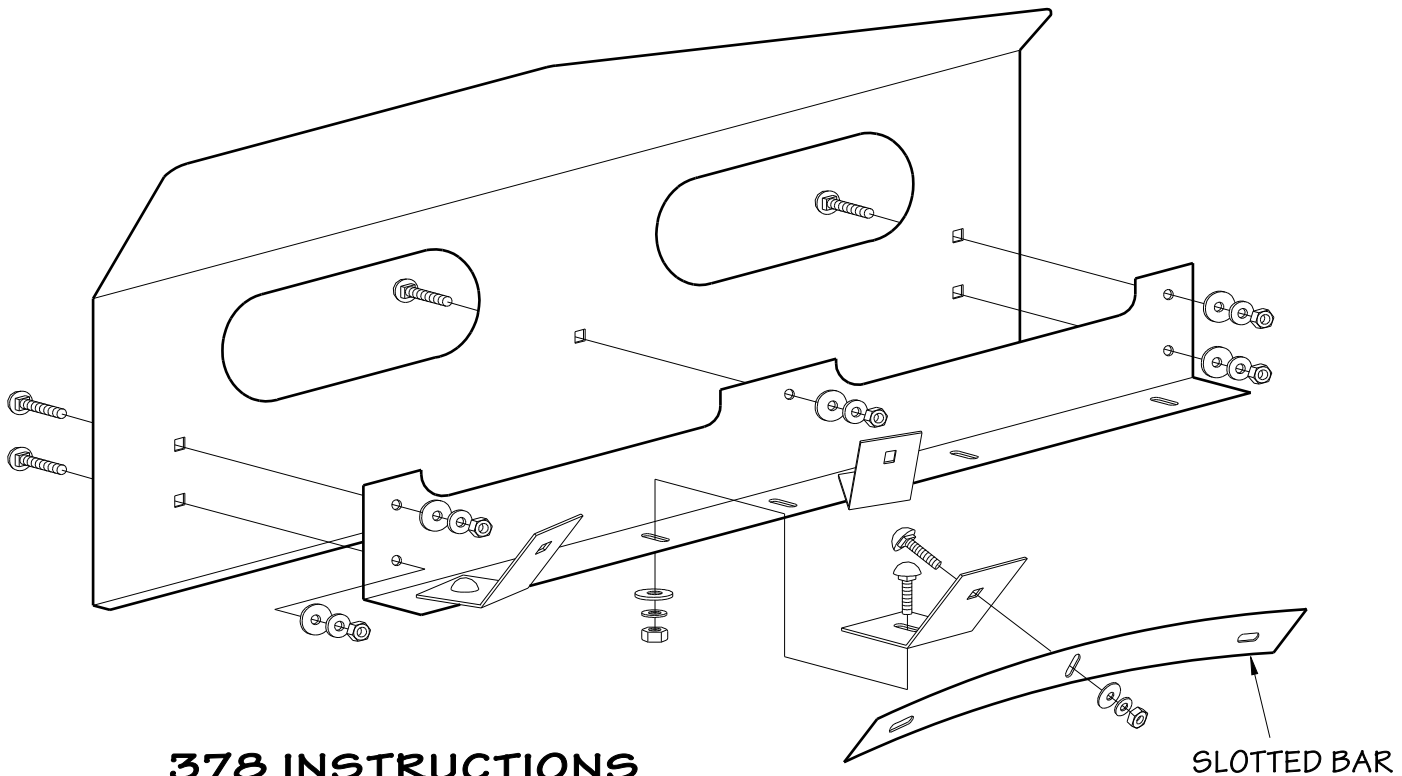


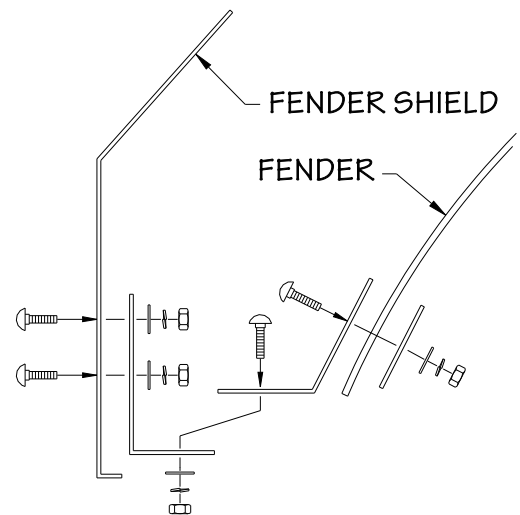
# 378 PETERBILT FENDER SHIELDS

PART NO. 08350 & 08353L



## 378 INSTRUCTIONS

1. INSTALL THE LONG MOUNTING ANGLES TO THE FENDER SHIELD WITH THE SMALL CARRIAGE BOLTS AND TIGHTEN.
2. INSTALL THE SHORT ANGLED BRACKETS "FINGER-TIGHT" ON THE LONG MOUNTING ANGLE AS SHOWN IN THE DRAWING. (**NOTE!** THESE BRACKETS MOUNT IN THE FIRST, SECOND AND THE FOURTH SLOTS FROM THE OUTSIDE OF THE FENDER WITH THE SQUARE HOLES IN THE "UP" POSITION.)
3. PLACE THE ASSEMBLY IN THE DESIRED POSITION ON THE FENDER AND MARK THE THREE HOLES TO BE DRILLED IN THE FENDER.
4. REMOVE THE ASSEMBLY AND DRILL THE 5/16" HOLES FOR THE MOUNTING BOLTS.
5. MOUNT THE FENDER SHIELDS WITH THE SLOTTED BAR BEHIND THE FENDER. ALIGN AND TIGHTEN ALL BOLTS.
- 6 IF YOU HAVE PURCHASED ONE OF THE MODELS WITH LIGHTS YOU ARE NOW READY TO INSTALL AND WIRE THE LIGHTS.



08350INS



BY



COPYRIGHT © 2007  
RigSkirts LLC.