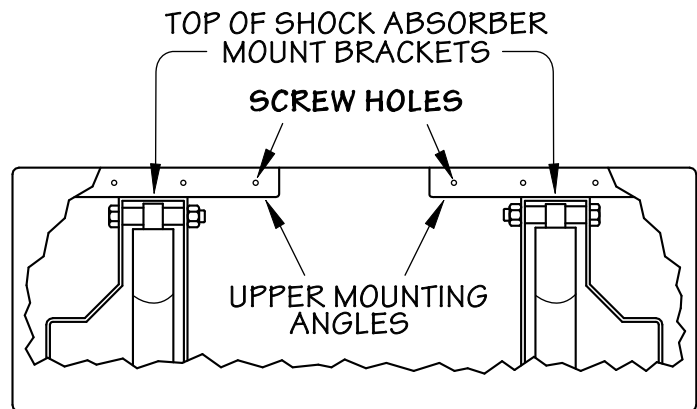
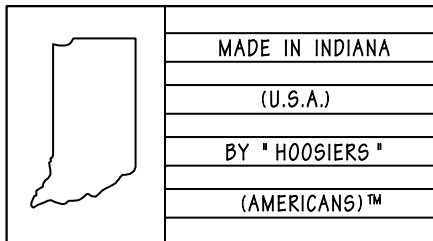
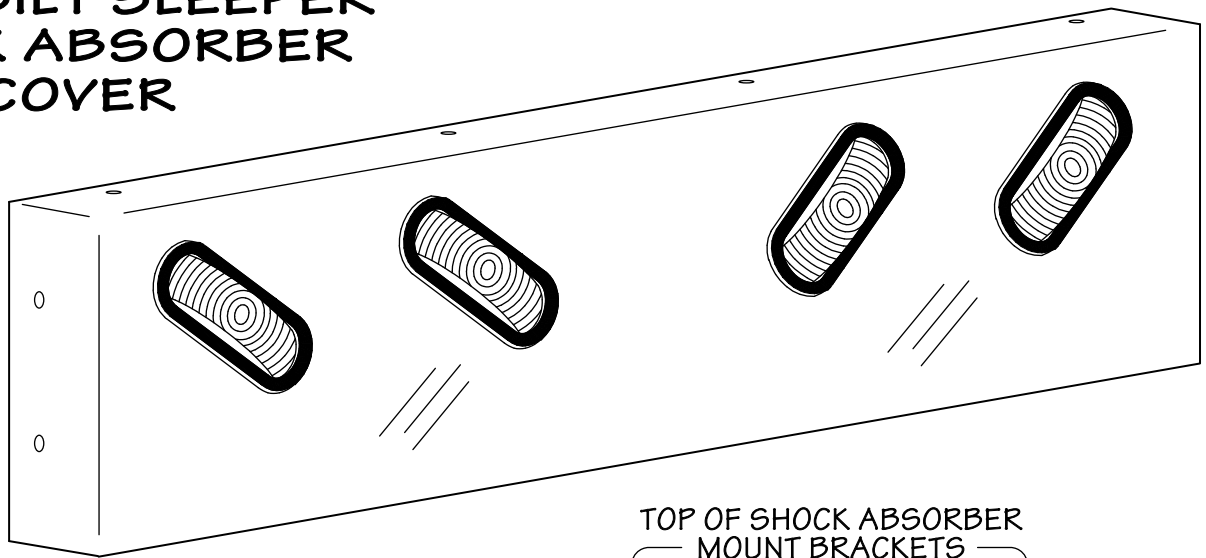


PETERBILT SLEEPER SHOCK ABSORBER COVER



INSTRUCTIONS

1. YOU WILL NOTICE THAT THIS UNIT IS SHIPPED TO YOU COMPLETELY ASSEMBLED TO ASSIST YOU IN VERY QUICKLY LOCATING AND MOUNTING THIS PRODUCT.
2. REST THE UPPER MOUNTING ANGLES DIRECTLY ON TOP OF SHOCK ABSORBER MOUNT BRACKETS. CAREFULLY POSITION FROM SIDE-TO-SIDE AND MARK THE TWO SIDE LOCATIONS. **SEE CUT-A-WAY ILLUSTRATION.**
3. REMOVE THE ASSEMBLY AND CLEAN THE AREA BEHIND THE MOUNTING ANGLES WITH ALCOHOL TO INSURE THE PROPER ADHESION OF THE TWO SIDED TAPE.
4. PEEL THE PROTECTIVE PLASTIC STRIPS FROM THE TWO SIDED TAPE, REPOSITION THE ASSEMBLY BETWEEN THE MARKS AND PRESS FIRMLY INTO PLACE.
5. REMOVE THE EIGHT BOLTS FROM THE TOP AND SIDES OF THE COVER. DRILL 1/8" HOLES THROUGH THE HOLES IN THE MOUNTING ANGLES AND INTO THE REAR OF THE SLEEPER TO ACCEPT THE SCREWS SUPPLIED IN THIS KIT.
6. INSTALL AND TIGHTEN ALL OF THE SCREWS. IF YOU HAVE PURCHASED A MODEL WITH LIGHTS, YOU ARE NOW READY TO INSTALL AND WIRE THE LIGHTS.
7. RE-MOUNT THE SHOCK ABSORBER COVER WITH THE BOLTS YOU HAVE PREVIOUSLY REMOVED AND TIGHTEN.

CUT-A-WAY ILLUSTRATION



BY

