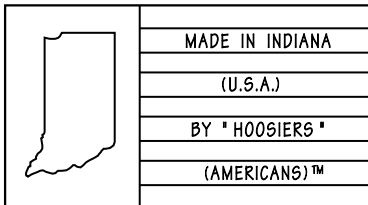
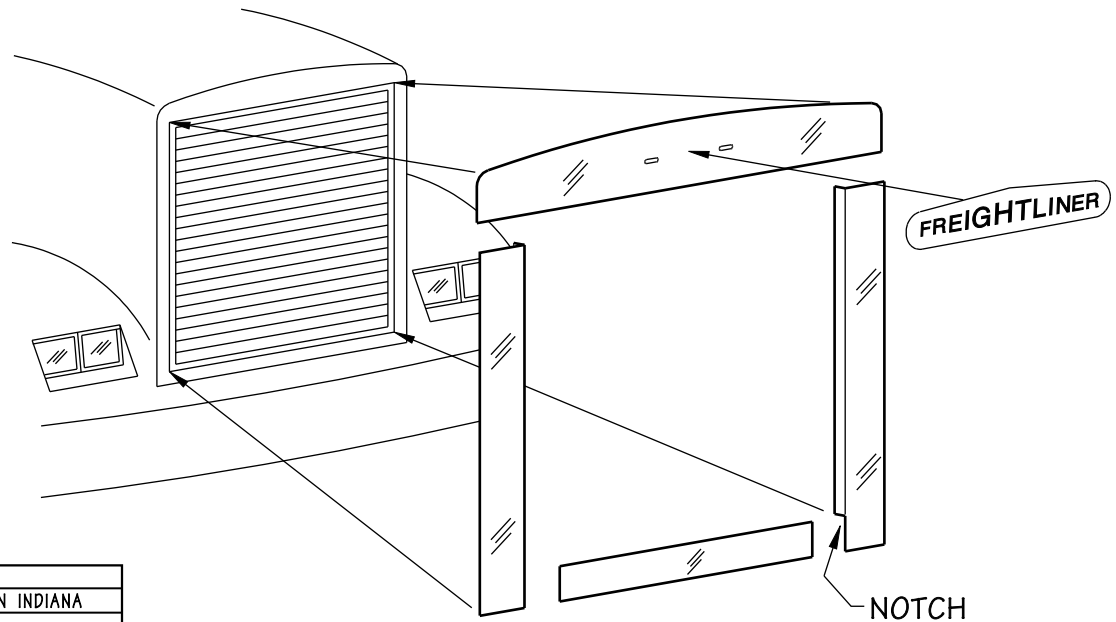


FREIGHTLINER GRILL TRIM

(COVERS GRILL AND LEADING EDGE OF PAINT)



ILLUSTRATION

COPYRIGHT © 2007
RigSkirts LLC.
ALL RIGHTS RESERVED

INSTRUCTIONS

1. REMOVE THE ENTIRE GRILL ASSEMBLY AND LAY ON A FLAT SURFACE.
2. VERY CAREFULLY REMOVE THE FREIGHTLINER EMBLEM FROM THE TOP OF THE GRILL.
3. CLEAN THE SURFACE OF THE GRILL WITH ALCOHOL TO INSURE ADHESION OF THE TAPE TO THE SURFACE.
4. CAREFULLY POSITION AND MOUNT THE TOP TRIM PIECE AND THEN REPLACE THE FREIGHTLINER EMBLEM.
5. MOUNT THE TWO SIDE PIECES WITH THE BENDS TOWARD THE INSIDE AND THE NOTCHES AT THE BOTTOM. (SEE ILLUSTRATION)
6. MOUNT THE BOTTOM TRIM PIECE AND REPLACE THE GRILL ASSEMBLY.



NOTE!

IF YOU ARE MOUNTING FENDER SHIELDS WITH THE GRILL TRIM, MOUNT THE GRILL TRIM PIECES FIRST. THIS WILL SET UP THE ALIGNMENT OF THE FENDER SHIELDS WHERE THEY INTERSECT AT THE VERTICAL SIDE PIECES OF THE GRILL TRIM.

BY

