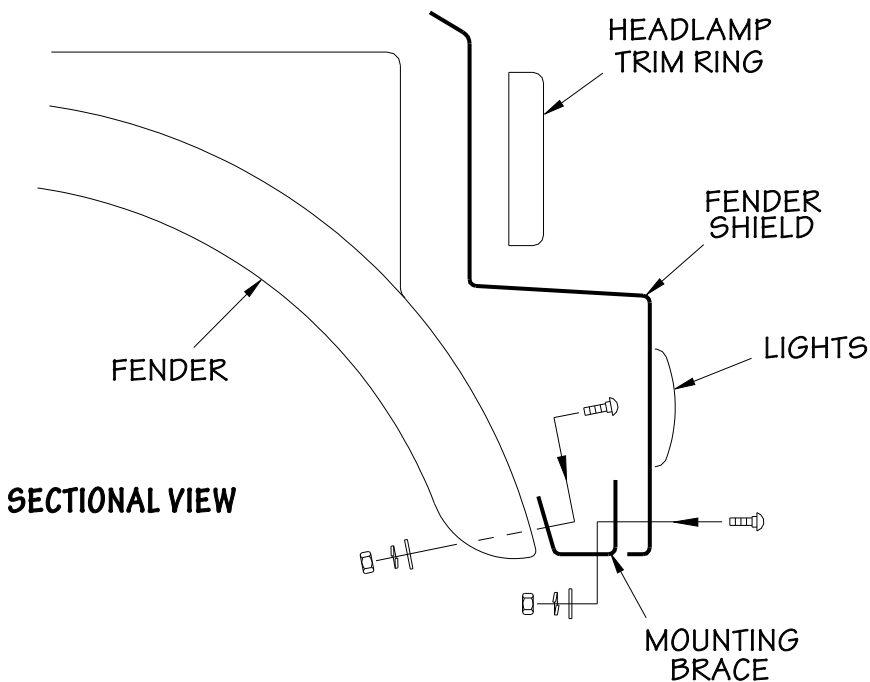
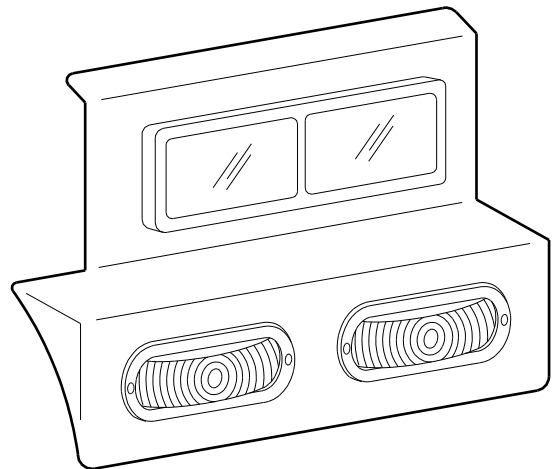
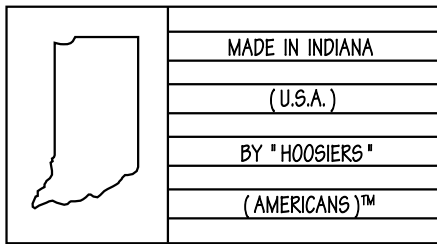
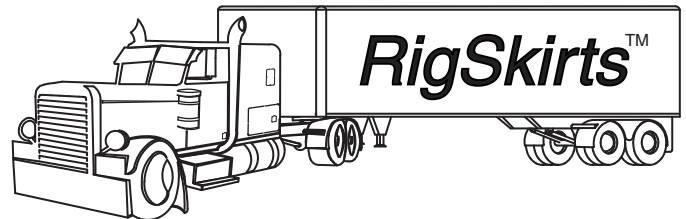


KENWORTH W900 COMBINATION FENDER SHIELDS

P/N 28360, 28361, 28363 & 28364



BY



INSTRUCTIONS

1. REMOVE THE HEADLAMP TRIM RING.
2. BOLT THE MOUNTING BRACE ONTO THE FENDER SHIELDS AND LEAVE "FINGERRIGHT" USING THE PROPER BOLTS AS SHOWN IN THE SECTIONAL VIEW.
3. PLACE THIS ASSEMBLY INTO THE PROPER POSITION ON THE TRUCK.
4. CAREFULLY MARK THE HOLES TO BE DRILLED INTO THE FENDER.
5. REMOVE THIS ASSEMBLY AND DRILL THE THREE 1/4" HOLES INTO THE FENDER.
6. PLACE THE FENDER SHIELD ASSEMBLY BACK INTO THE PROPER POSITION AND BOLT THE HEADLAMP TRIM RING BACK INTO PLACE.
7. INSTALL THE BOLTS THRU THE MOUNTING BRACE AND FENDER. TIGHTEN ALL BOLTS.
8. YOU ARE NOW READY TO INSTALL AND WIRE THE LIGHTS. THE LIGHTS MAY BE WIRED FOR MARKER AND/OR TURN SIGNALS.