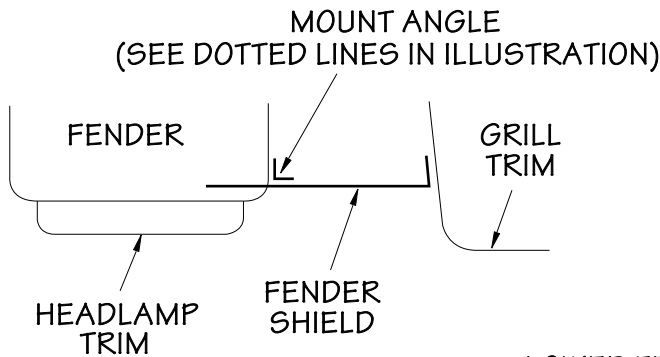
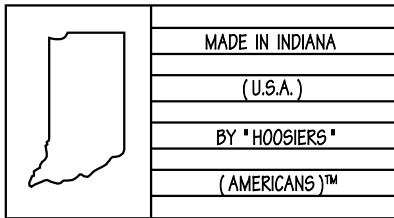


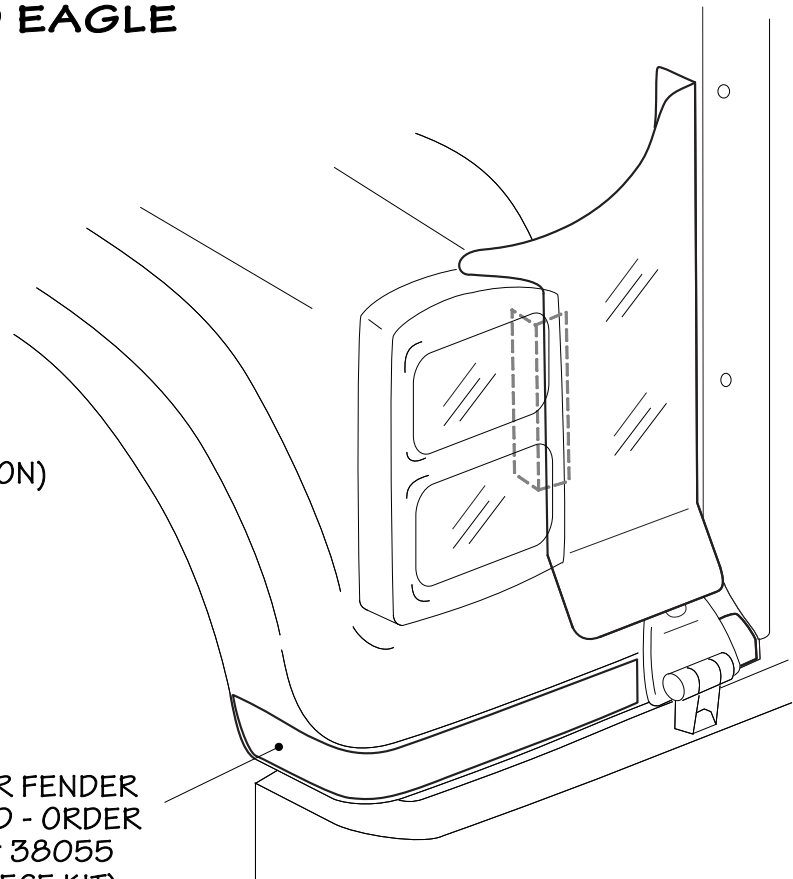
INTERNATIONAL FENDER SHIELDS

MODEL 9300 EAGLE



TOP VIEW

LOWER FENDER SHIELD - ORDER KIT # 38055 (4 PIECE KIT)



ILLUSTRATION

INSTRUCTIONS

1. PLACE THE UPPER FENDER SHIELD INTO THE PROPER POSITION AND MARK DOWN ALONG THE FRONT OF THE SHIELD WITH A FELT TIP MARKER. MAKE SURE YOU HAVE A GOOD LINE BOTH ON THE HOOD SIDE OF THE SHIELD AND AT THE HEAD LAMP SIDE. (LEAVE 1/4" SPACE BETWEEN THE TOP OF THE HEADLAMP TRIM RING AND THAT PORTION OF THE FENDER SHIELD ABOVE THE HEADLAMP).
2. WITH THE FENDER SHIELD STILL IN POSITION, HOLD THE MOUNT ANGLE IN POSITION AND MARK THE LOCATION. (SEE TOP VIEW)
3. PEEL THE PROTECTIVE STRIPS FROM THE TAPE ON MOUNT ANGLE.
4. CAREFULLY PLACE THE MOUNT ANGLE INTO THE POSITION MARKED AND PRESS FIRMLY IN PLACE.
5. PEEL THE PROTECTIVE STRIP FROM THE EDGE (THE BEND) OF THE FENDER SHIELD.
6. PLACE THE FENDER SHIELD FIRST AGAINST THE HOOD AND ROTATE THE OTHER SIDE AGAINST THE MOUNT ANGLE. PRESS FIRMLY AGAINST THE CONTACT SURFACES TO INSURE THE PROPER BOND.
7. IF YOU HAVE ALSO PURCHASED THE LOWER MOUNT KIT, PEEL THE PROTECTIVE STRIPS FROM THE TAPE AND CAREFULLY MOUNT THESE PIECES.



BY

