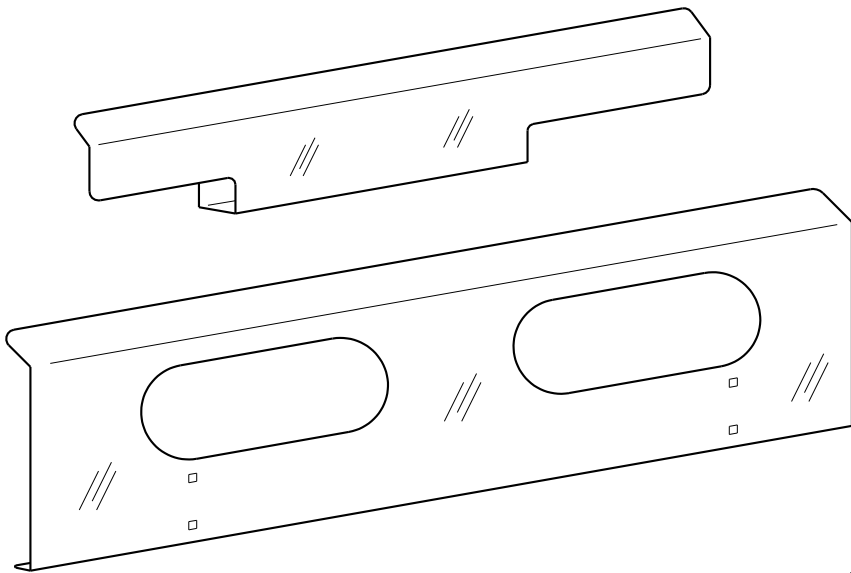


MARMON FENDER SHIELDS



	MADE IN INDIANA
	(U.S.A.)
	BY "HOOSIERS"
	(AMERICANS) TM

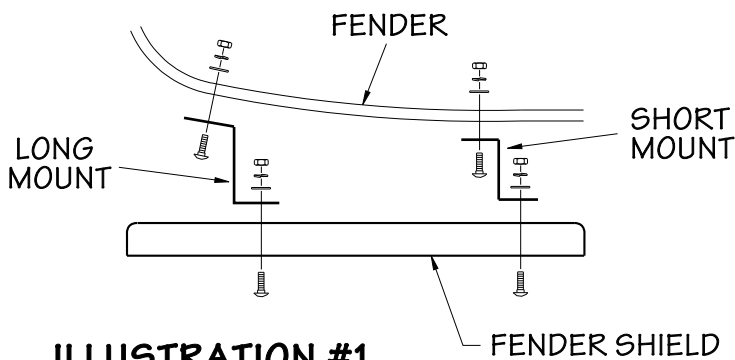


ILLUSTRATION #1
TOP VIEW

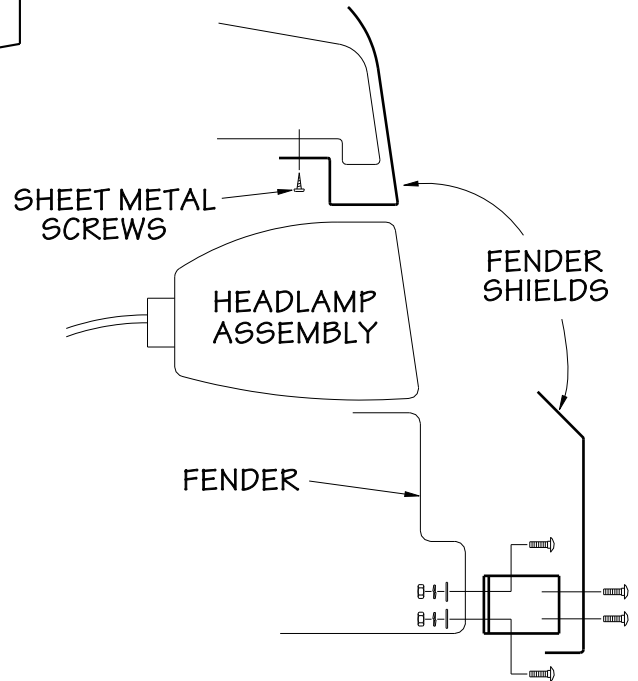


ILLUSTRATION #2
SIDE VIEW

INSTRUCTIONS

1. REMOVE THE COMPLETE HEADLAMP ASSEMBLY.
2. HOLD THE UPPER FENDER SHIELD INTO POSITION AS SHOWN IN THE ILLUSTRATION AND MARK THE HOLES TO BE DRILLED.
3. DRILL THE 1/8" HOLES AND MOUNT THE UPPER FENDER SHIELD USING THE SHEET METAL SCREWS PROVIDED IN THE KIT.
4. REPLACE THE HEADLAMP ASSEMBLY.
5. ATTACH THE TWO "Z" SHAPED MOUNTS TO THE LOWER FENDER SHIELD WITH THE 1/2" CARRIAGE BOLTS AS SHOWN IN ILLUSTRATION #1 & #2 AND TIGHTEN. (NOTE THAT THE SQUARE HOLES IN THE MOUNTS MUST BE AGAINST THE FENDER).
6. PLACE THIS ASSEMBLY INTO THE PROPER POSITION AND MARK THE HOLES TO BE DRILLED.
7. DRILL THE 5/16" DIAMETER HOLES IN THE FENDER AND MOUNT THE LOWER FENDER SHIELDS USING THE 1" CARRIAGE BOLTS PROVIDED IN THE KIT. (NOTE THAT THE NUTS, WASHERS AND LOCKWASHERS ARE BEHIND THE FENDER). SEE ILLUSTRATION #1 & #2
8. IF YOU HAVE PURCHASED A MODEL WITH LIGHTS, YOU ARE READY TO INSTALL AND WIRE THE LIGHTS. THE LIGHTS MAY BE WIRED FOR MARKER AND/OR TURN SIGNALS.



by

