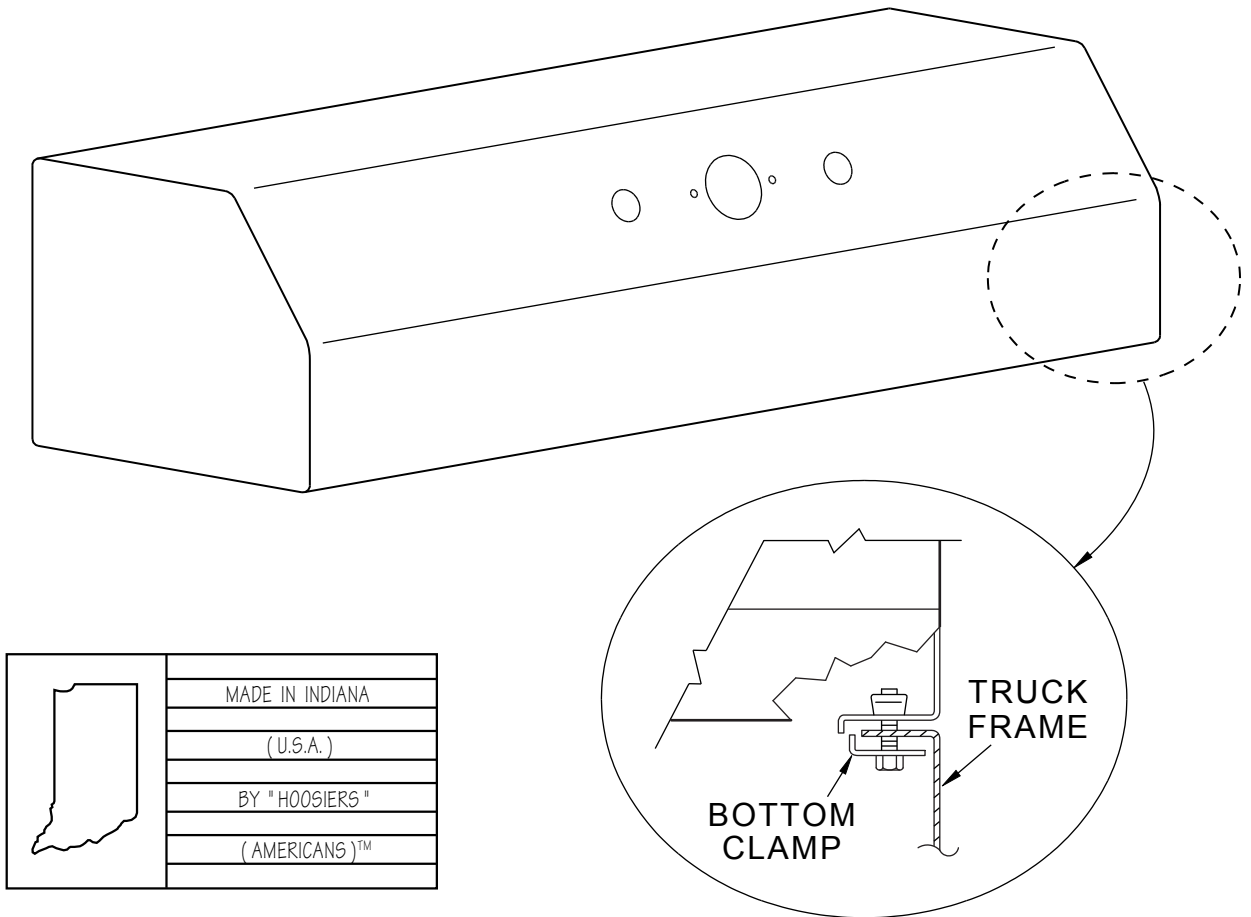


ELECTRIC - AIR LINE HOOK-UP ORGANIZER



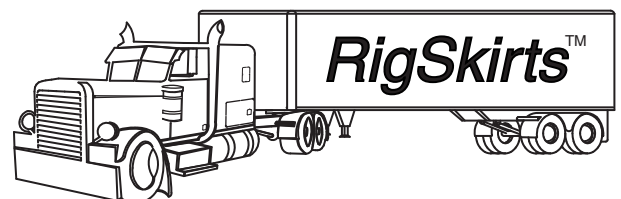
CUT-A-WAY VIEW @ ENDS

INSTRUCTIONS

1. BEFORE STARTING THIS INSTALLATION, DO AS MUCH PRE-PLUMBING AND PRE-WIRING AS POSSIBLE TO AVOID WORKING FROM UNDERNEATH THE TRUCK.
2. ATTACH THE BOTTOM CLAMP TO ONE END OF THE ORGANIZER AND LEAVE THE BOLTS LOOSE ENOUGH TO ALLOW THE UNIT TO BE SLID INTO POSITION. (SEE CUT-A-WAY VIEW)
3. CAREFULLY POSITION THE UNIT AND BOLT THE BOTTOM CLAMP ON THE OTHER END.
4. RECHECK THE UNIT FOR THE PROPER POSITION AND TIGHTEN ALL BOLTS.
5. YOU ARE NOW READY TO COMPLETE THE ELECTRIC AND AIR LINE HOOK-UPS.



BY



11/8/2007
60600INS

COPYRIGHT © 2007
RigSkirts LLC.
ALL RIGHTS RESERVED