
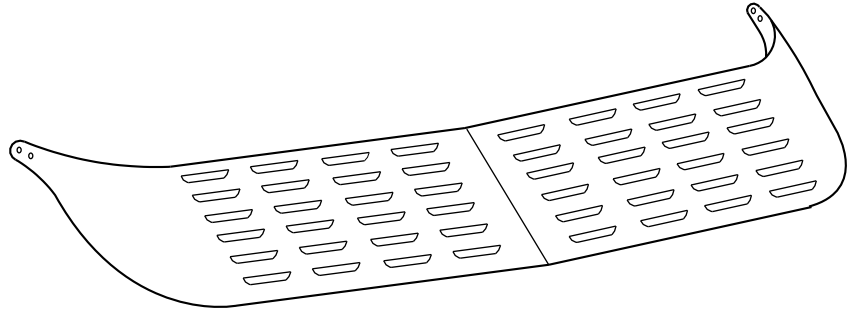


359 PETERBILT DROPPED VISOR

	MADE IN INDIANA
	(U.S.A.)
	BY "HOOSIERS"
	(AMERICANS)™



PARTS REQUIRED FOR THIS INSTALLATION

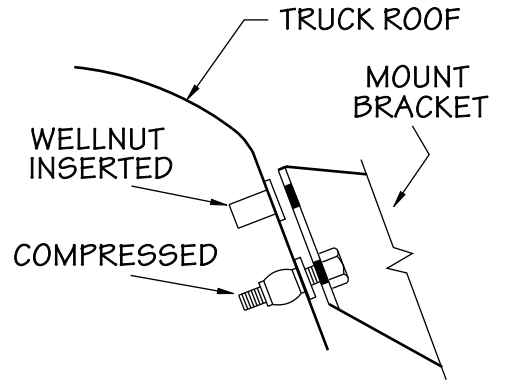
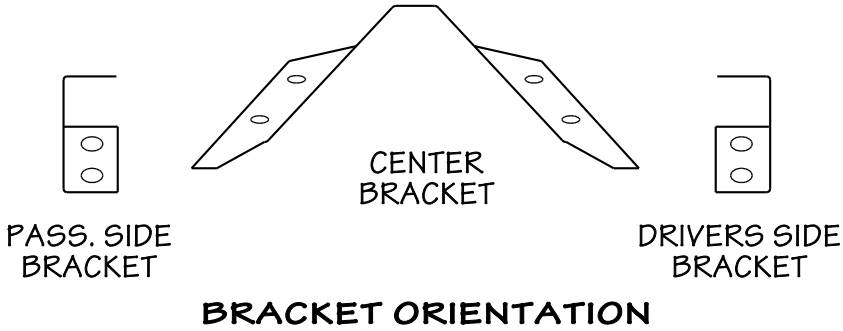
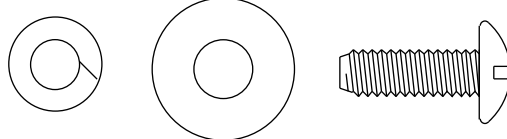
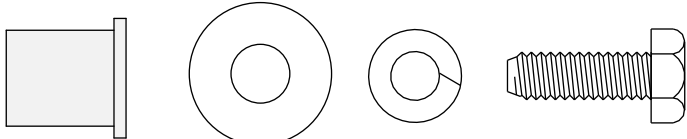



ILLUSTRATION - WELLNUTS

11 EACH REQUIRED (VISOR)

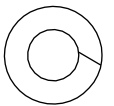




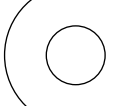
9 EACH REQUIRED (MOUNTS)



1/4" NUT
3 REQ'D.



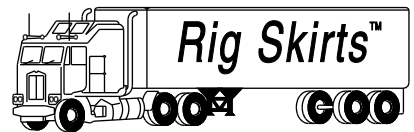
1/4" L.W.
3 REQ'D.



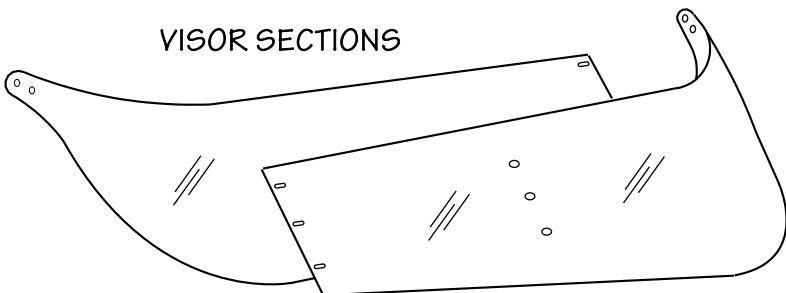
1/4" WASH.
3 REQ'D.



BY



VISOR SECTIONS



359 PETERBILT DROPPED VISOR

INSTRUCTIONS

1. UNPACK THE CARTON AND DETERMINE THAT ALL PIECES REQUIRED FOR THIS INSTALLATION ARE IN THE BOX. (SEE REVERSE SIDE). PAY PARTICULAR ATTENTION TO THE BOLTS AS THIS INSTALLATION CANNOT BE COMPLETED WITHOUT THE PROPER AMOUNT AND TYPE OF BOLTS AND FASTENERS. YOU WILL ALSO NEED A SMALL AMOUNT OF WINDSHIELD ADHESIVE (SEE STEP #7).
2. IF THE TRUCK NOW HAS A SUN VISOR, REMOVE THE VISOR AND BEND THE TWO SIDE MOUNTING BRACKETS OUT OF THE WAY. (THESE CAN ALSO BE REMOVED BY CUTTING THEM OFF).
3. THE NEXT FIVE STEPS ARE THE MOST IMPORTANT AND REQUIRE THE UTMOST IN CARE AND CAUTION AS WE WILL BE INSTALLING THE NEW MOUNTING BRACKETS.
4. LEAVE THE P.V.C. PROTECTIVE COATING **ON** THE VISOR SECTIONS AND BOLT THE ENTIRE UNIT TOGETHER WITH ALL OF THE NEW MOUNTING BRACKETS. (SEE "BRACKET ORIENTATION" ON REVERSE SIDE). TIGHTEN THE BOLTS ONLY SLIGHTLY MORE THAN "FINGERTIGHT". PLACE THE COMPLETELY ASSEMBLED VISOR INTO THE PROPER POSITION, BOLT THE FOUR END BOLTS IN PLACE AND TIGHTEN. THIS WILL HELP HOLD THE UNIT IN PLACE WHILE PERFORMING THE NEXT STEP.
5. MARK THE LOCATION OF ALL THE HOLES TO BE DRILLED INTO THE ROOF OF THE TRUCK FOR THE NEW MOUNTING BRACKETS AND THEN REMOVE THE VISOR. **NOTE!** IT MAY BE NECESSARY TO PULL UP ON THE CENTER OF THE VISOR WHILE PREPARING TO MARK THE HOLE LOCATIONS.
6. USE A CENTER PUNCH TO PREVENT "DRIFTING" AND DRILL A SMALL 1/8" DIAMETER LEAD-IN HOLE AT ALL LOCATIONS. DRILL THE EIGHT MOUNT HOLES ON OUT TO 1/2" DIAMETER. **NOTE!** IT IS BEST TO USE A DEPTH-STOP OR WRAP A PIECE OF TAPE AROUND THE DRILL BIT TO AVOID PENETRATING DEEPER THAN NECESSARY AND CAUSING DAMAGE TO THE HEADLINER.
7. TAKE A SMALL FINE-TOOTH FILE AND DEBURR AROUND AND INSIDE OF THE HOLES. APPLY WINDSHIELD ADHESIVE AROUND THE OUTSIDE AND UNDER THE LIP OF THE WELLNUTS, THEN INSERT THEM INTO THE HOLES AND PRESS FIRMLY INTO PLACE AS SHOWN IN THE **ILLUSTRATION - WELLNUTS** (THESE ARE THE FASTENERS WITH THE THREADED INSERT INSIDE).
8. DISASSEMBLE THE VISOR AND INSTALL THE MOUNTING BRACKETS ON THE TRUCK ROOF AS SHOWN IN THE ILLUSTRATION. BE VERY CAREFUL NOT TO OVERTIGHTEN THE WELLNUTS. STOP THE TIGHTENING MOVEMENT AS SOON AS YOU FEEL THE BOLT BOTTOM OUT.
9. PEEL THE P.V.C. PROTECTIVE COATING FROM THE RIGHT (PASSENGER) SIDE VISOR SECTION. PLACE THE VISOR SECTION IN POSITION, INSTALL THE TWO BOLTS IN THE END AND THEN INSTALL THE THREE BOLTS THROUGH THE VISOR AND ON INTO THE RIGHT **SIDE** ROOF MOUNTING BRACKET. LEAVE ALL BOLTS "FINGERTIGHT" UNTIL THIS INSTALLATION HAS BEEN COMPLETED.
10. REPEAT STEP #9 AND INSTALL THE LEFT (DRIVERS) SIDE VISOR SECTION.
11. INSTALL THE BOLTS THROUGH BOTH SECTIONS WHERE THE TWO VISORS JOIN. CHECK THE ENTIRE SUN VISOR FOR PROPER ALIGNMENT AND TIGHTEN ALL BOLTS. **NOTE!** IT IS A GOOD IDEA TO APPLY A SMALL AMOUNT OF LOCKTITE TO ALL OF THE BOLTS WHEN YOU TIGHTEN THEM.
12. USE WINDEX AND A SOFT COTTON CLOTH TO CLEAN THE VISOR AFTER INSTALLATION. NEVER USE AN ABRASIVE COMPOUND ON THE STAINLESS AS IT WILL DAMAGE THE FINISH.
13. AFTER THIS INSTALLATION HAS BEEN COMPLETED, CHECK THE VISOR BOLTS PERIODICALLY TO INSURE THAT THEY HAVE REMAINED TIGHT DURING NORMAL OPERATION OF THE TRUCK.