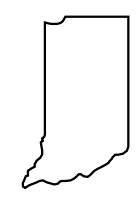
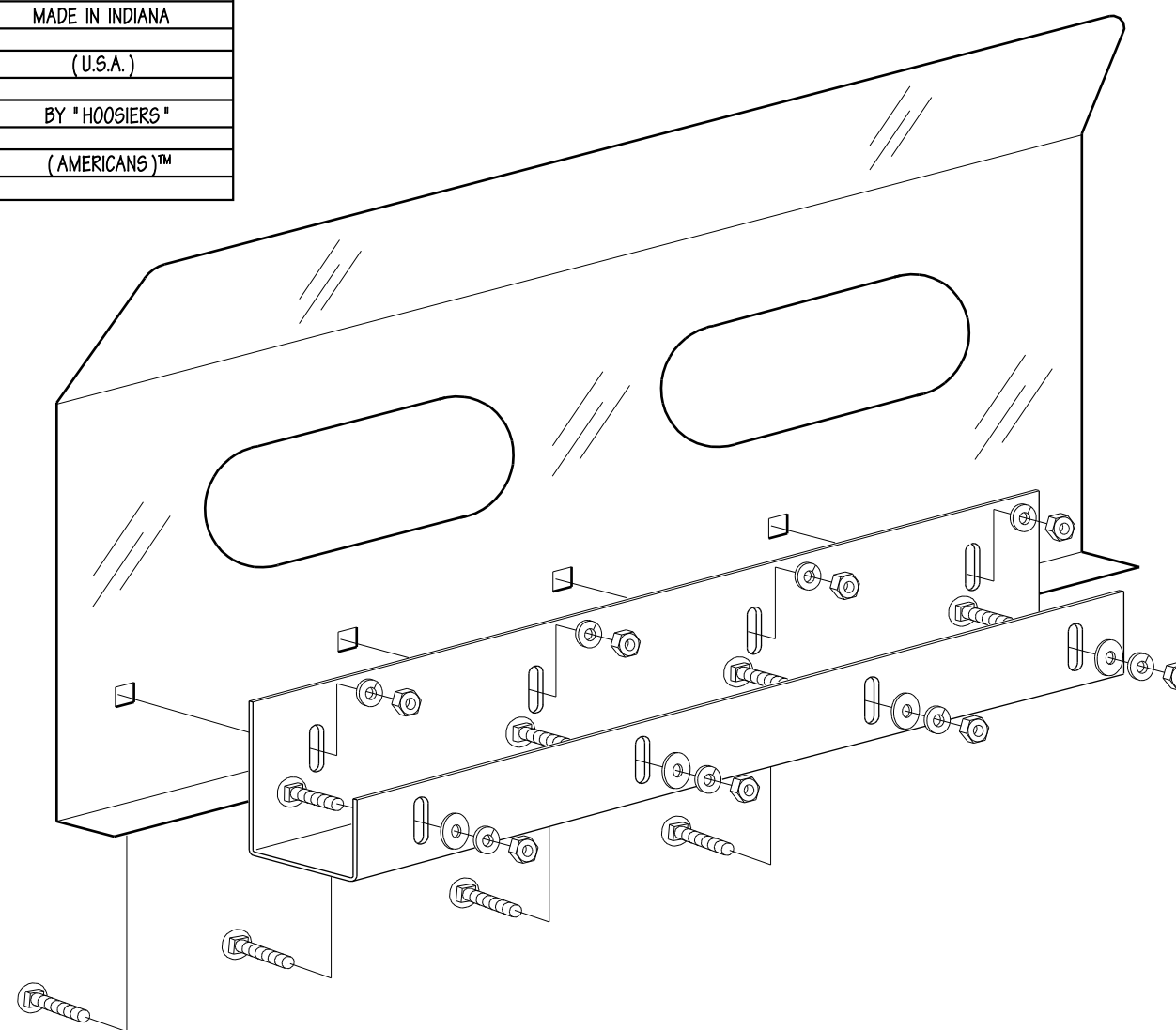


WESTERN STAR FENDER SHIELDS

P/N 68051 & 68053L

	MADE IN INDIANA
	(U.S.A.)
	BY "HOOSIERS"
	(AMERICANS)™



INSTRUCTIONS

1. MOUNT THE LONG BRACKET IN BACK OF THE FENDER SHIELD TO A "FINGER TIGHT" CONDITION.
2. CAREFULLY POSITION THIS ASSEMBLY TO THE DESIRED LOCATION AND MARK THE FOUR HOLES TO BE DRILLED IN THE FENDER.
(**NOTE!** THE SIDE TO SIDE LOCATION OF THESE HOLES ARE IMPORTANT AND THE VERTICAL SLOTS ALLOW FOR UP AND DOWN ADJUSTMENT AFTER INSTALLATION.)
3. DRILL THE FOUR 5/16" DIAMETER HOLES IN THE FENDER.
4. MOUNT THE ASSEMBLY IN PLACE, CHECK FOR PROPER ALIGNMENT, ADJUST AND TIGHTEN ALL BOLTS.
5. IF YOU HAVE PURCHASED A MODEL WITH LIGHTS, YOU ARE NOW READY TO INSTALL AND WIRE THE LIGHTS.

COPYRIGHT © 1995
ACCURATE INDUSTRIES, INC.

68051INS



BY



IL-00279