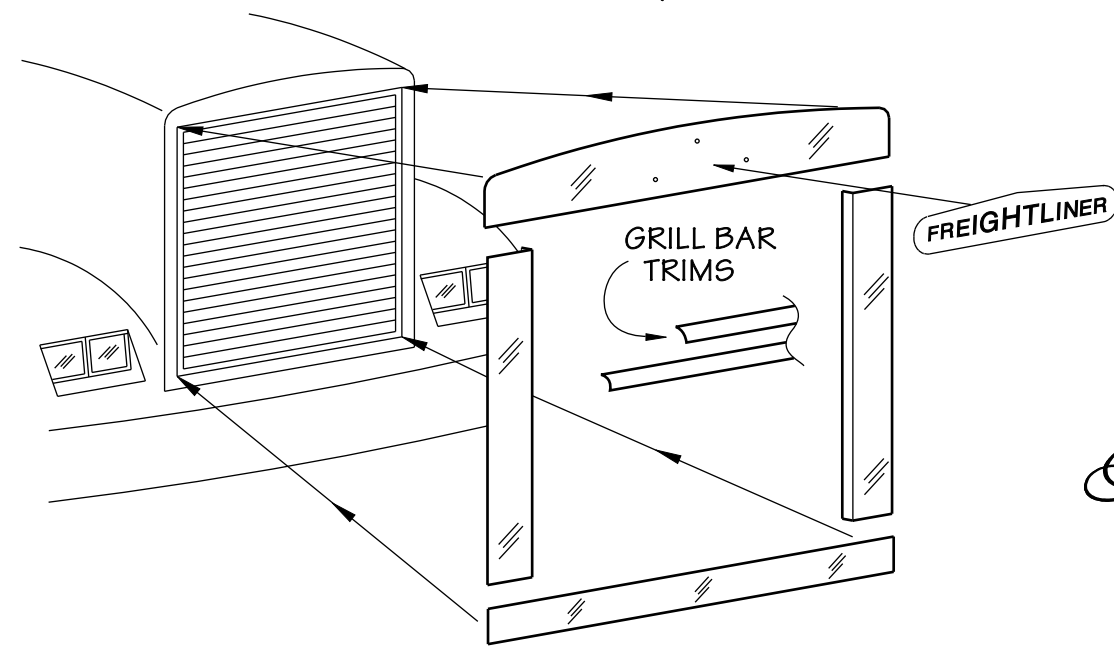
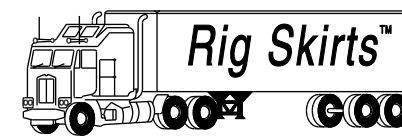
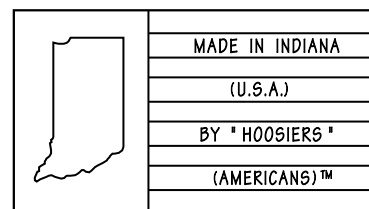


FREIGHTLINER GRILL TRIMS (COVERS GRILL AREA ONLY)



BY



INSTRUCTIONS

1. REMOVE THE ENTIRE GRILL ASSEMBLY AND LAY ON A FLAT SURFACE.
2. VERY CAREFULLY REMOVE THE FREIGHTLINER EMBLEM FROM THE TOP OF THE GRILL BY REMOVING THE LOCKING RETAINERS FROM THE REAR OF THE EMBLEM. (NEW RETAINERS ARE PROVIDED IN YOUR KIT). **CAUTION:** DO NOT TRY TO PRY THE EMBLEM LOOSE AS IT IS VERY DELICATE AND FRAGILE.
3. CLEAN THE SURFACE OF THE GRILL WITH ALCOHOL TO INSURE ADHESION OF THE TAPE TO THE SURFACE.
4. CAREFULLY POSITION AND MOUNT THE TOP TRIM PIECE.
5. MOUNT THE BOTTOM TRIM FIRST AND THEN MOUNT THE TWO SIDE TRIMS - IN THAT ORDER.
6. REPLACE THE FREIGHTLINER EMBLEM, THEN REMOUNT THE COMPLETE GRILL ASSEMBLY ONTO THE TRUCK AND TIGHTEN.
7. IF YOU HAVE ALSO PURCHASED THE GRILL BAR TRIMS, SURFACE OF THE GRILL BARS AND INSTALL THE NEW TRIMS.

FB0163INS

9-9-00

COPYRIGHT © 1998
ACCURATE INDUSTRIES, INC.
ALL RIGHTS RESERVED